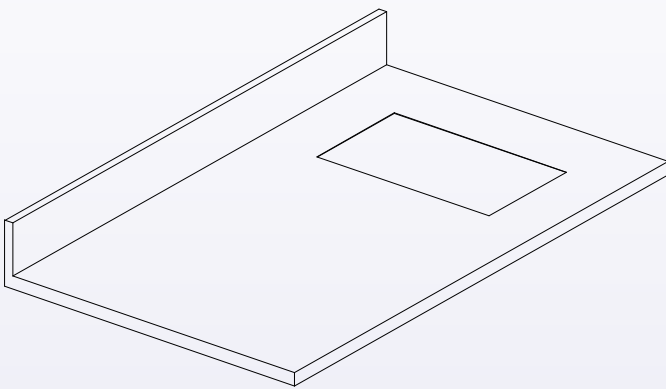


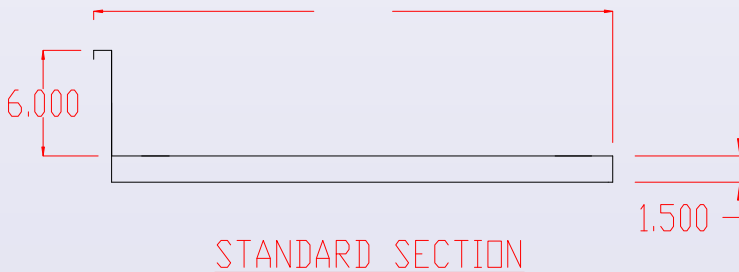
4026 Silver Star Rd Suite A Orlando, FL 32808
(407) 293-0090 Fax (407) 293-0098
E-mail: info@americanmp.com
www.americanmp.com

Counter Top

Specifications



- ◆ TOPS - Tops constructed of 16 gauge stainless steel with square formed edge and sides. This stainless steel cap will be made to mount on wood substrate furnished by others
- ◆ CUT-OUT - a cutout in the counter top will be provided to accommodate any customer drop in units.
- ◆ BACKSPLASH - we can incorporate an integral backsplash on wall side if specified by customer



Call or email for pricing.

- ◆ Item No: _____
- ◆ Dimensions: _____ long, _____ wide, _____ high.
- ◆ Customer: _____