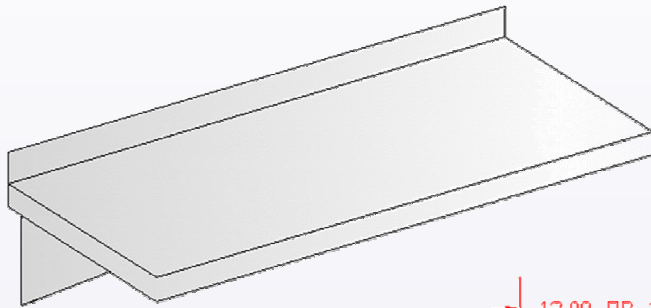


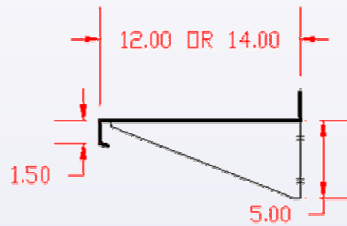
Stainless Steel Shelves

4026 Silver Star Rd Suite A Orlando, FL 32808
 (407) 293-0090 Fax (407) 293-0098
 E-mail: info@americanmp.com
 www.americanmp.com

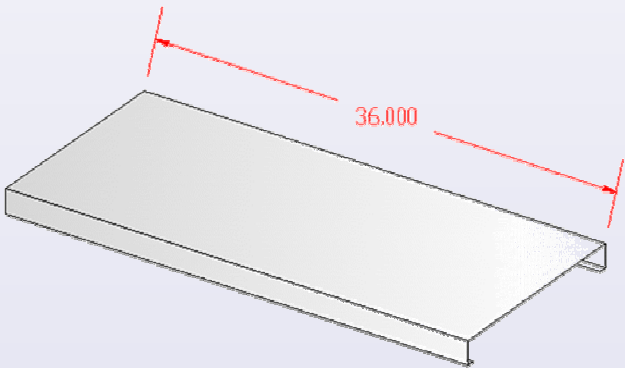
Specifications



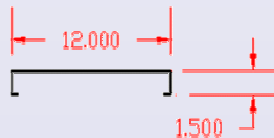
WALL MOUNT SHELF



- ◆ Wall Mounted Shelves - Constructed of 16ga stainless steel with rear turned up 2". Front and ends to be turned down 1-1/2" and re-turned 3/4". Corners welded and polished. Shelf stud welded to 14ga stainless steel brackets on no more than 60" centers.



PASS THRU SHELF



- ◆ Pass Thru Shelf - Constructed of 16ga stainless steel with square formed edge and sides. This stainless steel cap will be made to mount over the pass thru wall built by general contractor.

Call or email for pricing.

◆ Item No: _____
◆ Dimensions: _____ long, _____ wide, _____ high.
◆ Customer: _____