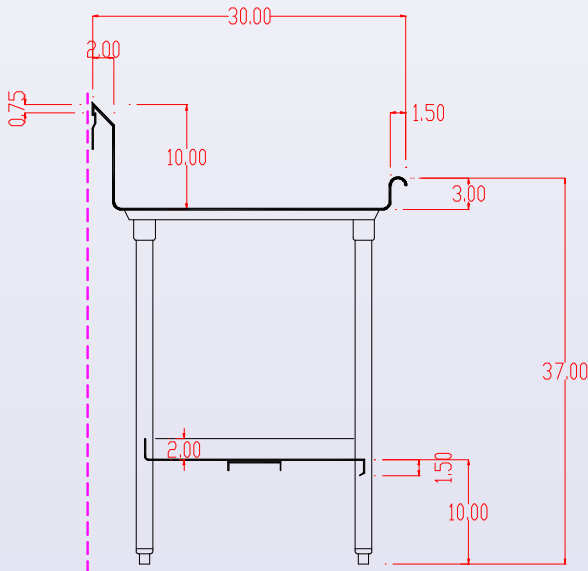
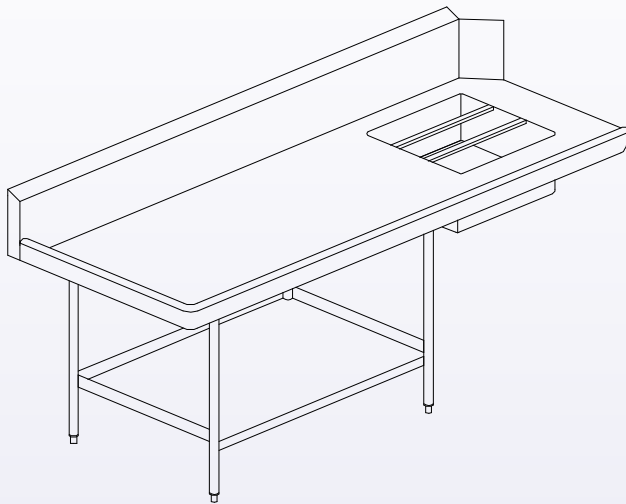


4026 Silver Star Rd Suite A Orlando, FL 32808
 (407) 293-0090 Fax (407) 293-0098
 E-mail: info@americanmp.com
www.americanmp.com

Soiled Dish Table

Specifications



- ◆ TOPS - Tops constructed of 14 gauge stainless steel. Bed of table to be 34" from floor with all exposed sides formed up 3" terminating in a 1-1/2" rolled rim having bull nosed corners. All seams and corners to be fully welded, ground smooth and polished. Where tables abut wall, an integral backsplash is to be provided. Backsplash to be formed up 8" with a 2" return at 45 degrees.
- ◆ BRACING - Tops to be braced laterally at each set of legs with a 4" x 1" 14ga galvanized channel. There is also a center brace of the same construction between the lateral channels. This framework is to be stud bolted to the underside of tops.
- ◆ LEGS - tables shall be supported on 1-5/8" stainless steel tubing legs with stainless adjustable leg inserts. Legs to be attached to fully enclosed stainless steel gussets securely welded to underbracing.

Call or email for pricing.

- ◆ Item No: _____
- ◆ Dimensions: _____ long, _____ wide, _____ high.
- ◆ Customer: _____