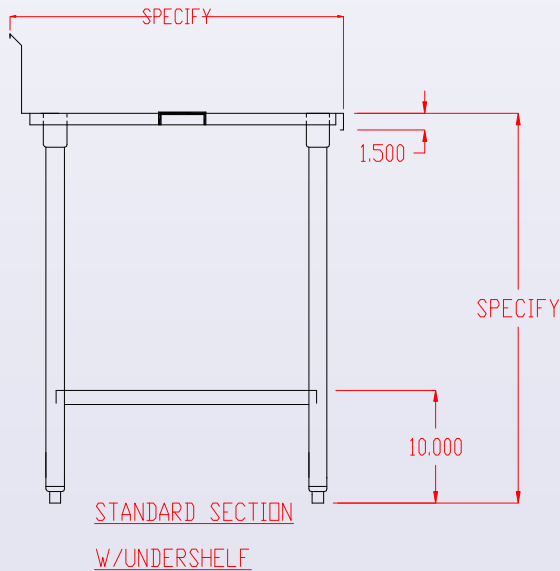
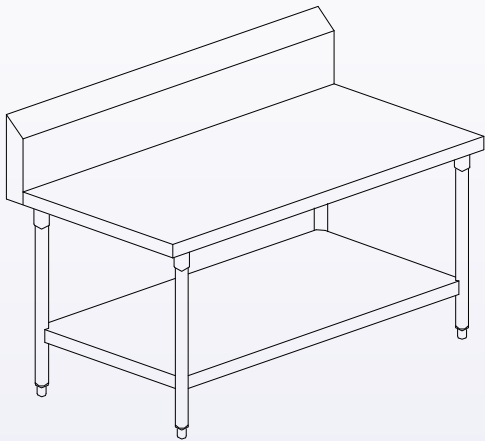


4026 Silver Star Rd Suite A Orlando, FL 32808
 (407) 293-0090 Fax (407) 293-0098
 E-mail: info@americanmp.com
 www.americanmp.com

Worktable Economy Series Galvanized Legs & Undershelf

Specifications



- ◆ TOPS - Tops constructed of 16ga stainless steel with square formed edge and sides. 4" high backsplash on wall side if specified. 45 degree cap with turn down for attaching to wall. 14ga galvanized reinforcing channel under top with sound deadening.
- ◆ BASE - 1-5/8" galvanized steel legs fitted into steel gussets. Bottom of legs fitted with stainless steel adjustable bullet feet.
- ◆ UNDERSHELF - 16ga galvanized undershelf with edges double formed. Shelf will be fully welded to legs for a rigid base. Welds to be cleaned and painted with a rust inhibiting paint.

Call or email for pricing.

- ◆ Item No: _____
- ◆ Dimensions: _____ long, _____ wide, _____ high.
- ◆ Customer: _____